



DESIGNER

Merckx & Maes

DESCRIPTION

The ILLUM collection refers to the classical Scandinavian furniture archetypes, translated with updated materials for outdoors. Aluminium is used like sculpted wood throughout the collection, with smooth transitions from crisp to soft lines. Functionality is paramount for ILLUM, without compromising on comfort and class. The soft-curving back support provides an inviting view and seating comfort. The table with its slim legs is kept pure and simple. The lounge is provided with a knee bend section and can easily be put in more than 10 different positions by means of a new-patented pump system.

MATERIALS

- Frame : aluminium with a double powder coating
- Seat : Batyline®
- Table Top : Indonesian plantation teak or ceramic in white, black, linen or piombo

COLOURS FRAME



00-White



10-Linen



89-Wengé

COLOURS TABLE TOP



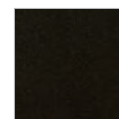
Teak



00-White



10-Linen



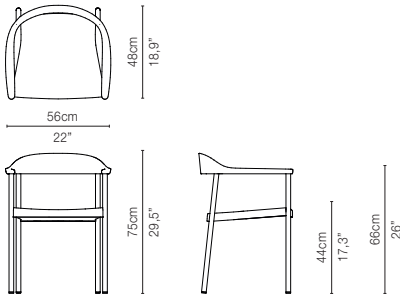
89-Piombo



90-Black

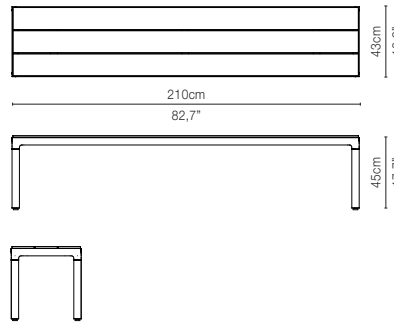
TECHNICAL DRAWINGS*

06518-x-x - Armchair



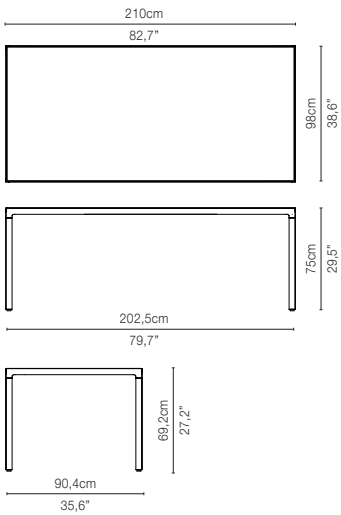
7,5 kg
 delivery unit: 4
 packaging:
 79 x 58 x H111 cm - 0,5 m³
 36 kg
 cushion:
 art.C06518W

06534-x - Bench



31 kg
 delivery unit: 1
 packaging A:
 220 x 47 x H16 cm
 20,5 kg
 packaging B:
 220 x 45 x H5 cm
 15 kg
 cushion:
 C07434W (42x42cm)

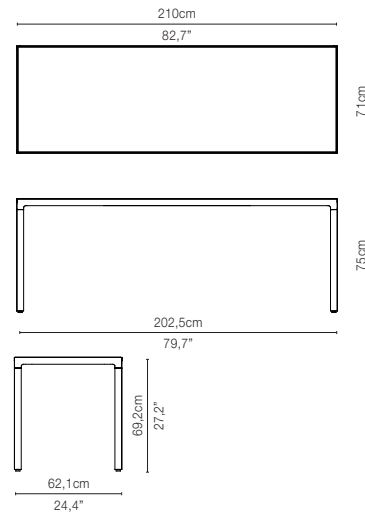
06552-x-x - Dining Table 210x98cm



66 kg (ceramic) - 53 kg (teak)
 packaging A:
 218 x 103 x H16 cm
 27,5 kg
 packaging B ceramic:
 218 x 105 x H4 cm
 42 kg
 packaging B teak:
 215 x 101 x H5 cm
 30 kg



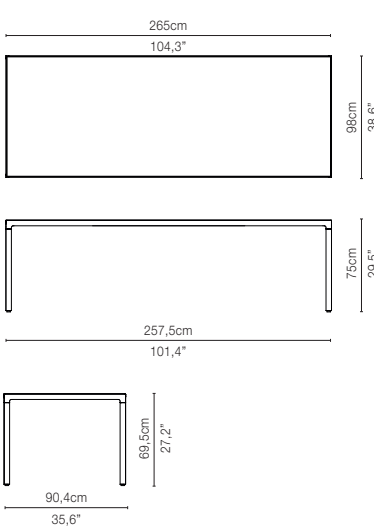
06552xs-x-x - Slim Dining Table 210x71cm



60 kg (ceramic) - 43 kg (teak)
 packaging A:
 218 x 76 x H16 cm
 25 kg
 packaging B ceramic:
 218 x 76 x H4 cm
 30 kg
 packaging B teak:
 215 x 75 x H5 cm
 22 kg



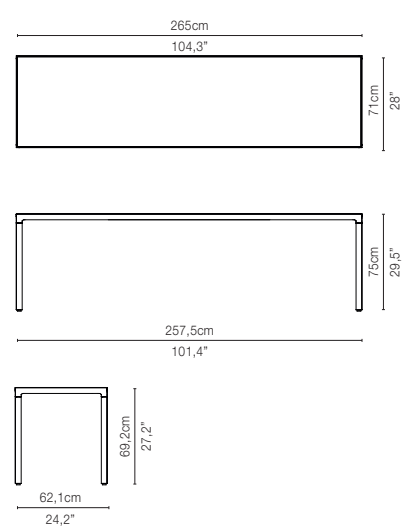
06554-x-x - Dining Table 265x98cm



81 kg (ceramic) - 61 kg (teak)
 packaging A:
 278 x 103 x H16 cm
 31,5 kg
 packaging B ceramic:
 277 x 109 x H4 cm
 53 kg
 packaging B teak:
 265 x 100 x H5 cm
 34 kg



06554xs-x-x - Slim Dining Table 265x71cm



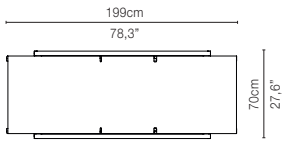
78 kg (ceramic) - 49 kg (teak)
 packaging A:
 278 x 76 x H16 cm
 28 kg
 packaging B ceramic:
 276 x 82 x H4 cm
 38 kg
 packaging B teak:
 265 x 75 x H5 cm
 25 kg



* Appearances, measurements and weights may slightly differ from reality.

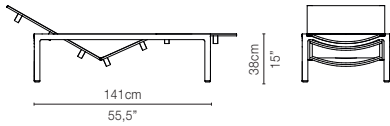
TECHNICAL DRAWINGS*

06540 - Adjustable lounger



delivery unit: 1
weight: tbc
packaging: tbc
cushions:
art.C06540W

The backrest is adjustable by means of a pump system and can be put in any position you like. The angle of the backrest to the ground floor ranges from 180° to 125°.



* Appearances, measurements and weights may slightly differ from reality.

CUSHIONS

The cushions are available with an outdoor filling in fabrics D & E.
The references of the available cushions are listed on the previous pages.

Cat D & E : cushions with an outdoor filling, type dryfoam. The cushions have an open cell structure so air can circulate freely. Water passes through the filling but dries quickly thanks to the large open pores, substantially inhibiting fungal growth.

MAINTENANCE

Clean the aluminium frame with water and a non-caustic, uncoloured fluid detergent. Allow detergent time to act. For stubborn stains, use Aluminium Cleaner. We advise to use Metal Protector twice a year which applies an invisible film and protects the aluminium against the adhesion of dirt.

The Batyline seat can be cleaned with soap and water or with Synthetics Cleaner or Synthetics Super Cleaner for stubborn stains. Apply with a soft brush on both sides. Leave to soak for a while and rinse with a garden hose.

The ceramic table top can be cleaned with water and soap. Stubborn stains can be removed with Glass & Ceramic Cleaner. To protect the ceramic, Ceramic Protector can be used. This applies a highly water and soiling repellent coating, which also makes the surface brighter, smoother and easier to clean.

For the teak tops we advise to apply Teak Protector which prevents stains and green deposit. Dirty teak can be cleaned with Teak Cleaner or Super Cleaner. Leave to dry completely before applying Teak Protector. Rough wood can be sanded slightly.

